

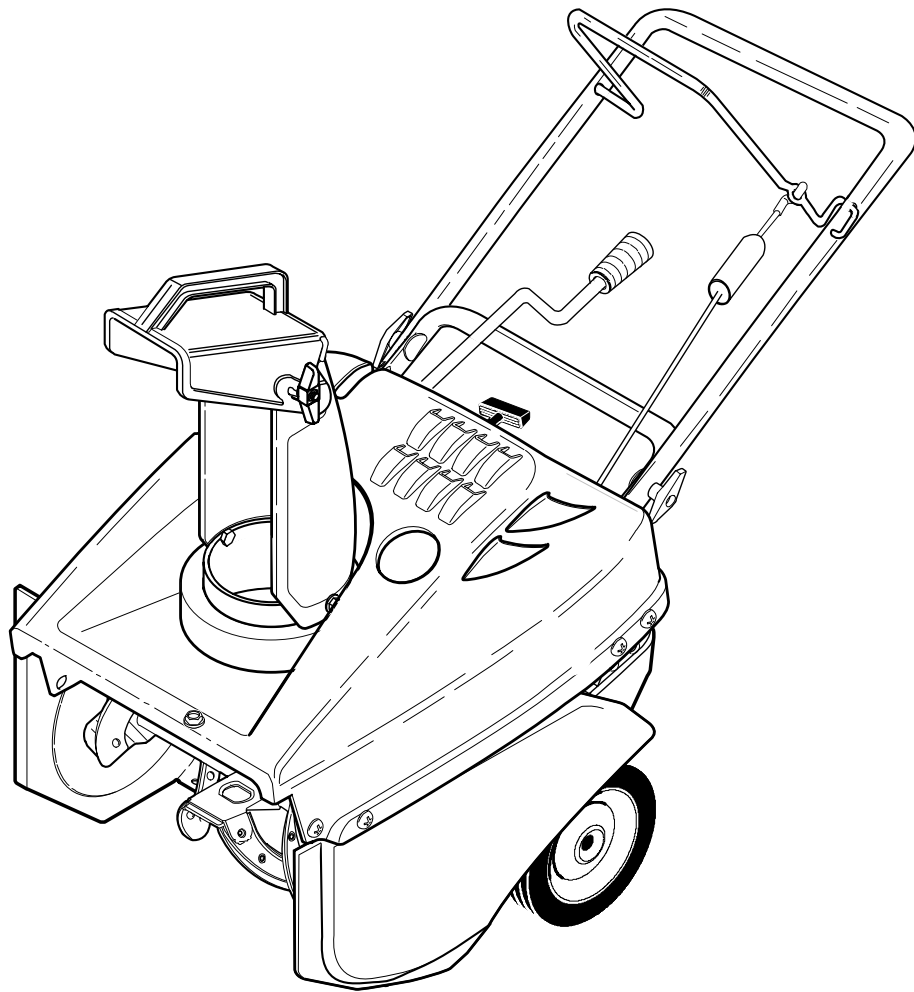


Parts Manual

Models

5021 R (531309638) 6210530X37NA

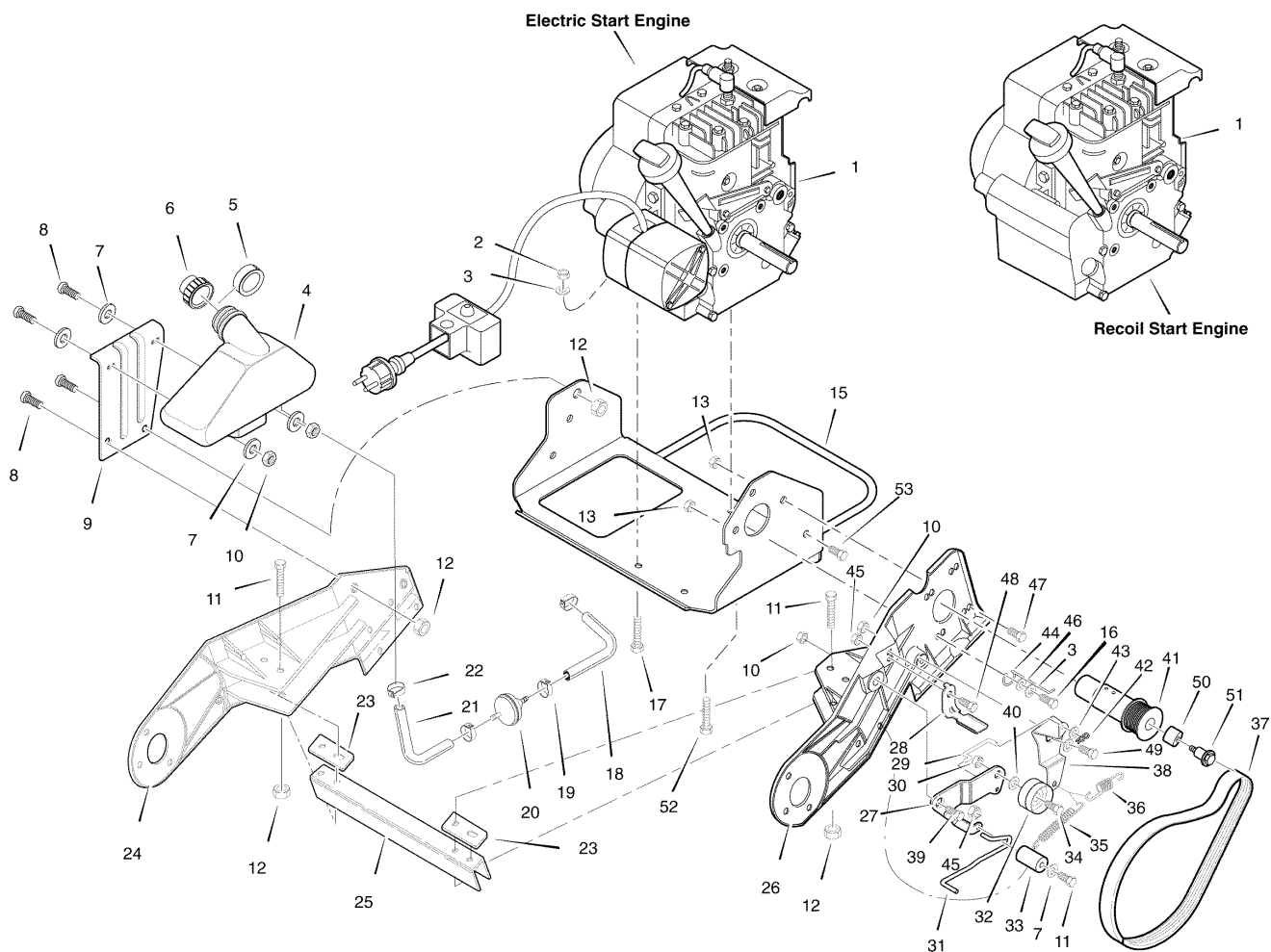
5021 E (531309639) 6210540X37NA



Engine And Frame Assembly

0003

NOTE: Unless noted otherwise, use the standard hardware torque specification chart.



The above parts group applies to the following Mfg. Nos.:

- 6210530x37NA 5021R
- 6210540x37NA 5021E

Engine And Frame Assembly

| REF NO | PART NO. | DESCRIPTION |
|--------|--------------|---|
| 1 | ---- | ENGINE (09A413-0202-E1 FOR MODEL NO. 6210540X37NA-ELECTRIC STARTER) |
| 1 | ---- | ENGINE (09A412-0267-E1 FOR MODEL NO. 6210530X37NA-RECOIL STARTER) |
| 2 | 601 50 51 29 | NUT, 5/16-18 |
| 3 | 601 40 00 79 | WASHER, SPLIT LOCK .31 X .58 X .08 |
| 4 | 601 50 51 30 | TANK, FUEL 1.5 QT |
| 5 | 601 50 51 31 | RING, FOAM FUEL TANK |
| 6 | 601 50 51 32 | FUEL CAP |
| 7 | 601 40 00 80 | WASHER, FLAT .281 X .63. X .065 |
| 8 | 601 50 51 33 | SCREW, 1/4-20 X 0.75 |
| 9 | 601 50 51 34 | BRACKET, FUEL TANK |
| 10 | 601 00 14 19 | NUT, 8-32 HEX KEPS |
| 11 | 601 00 13 48 | SCREW, 1/4-20 X 2.00 |
| 12 | 601 50 51 35 | NUT, 1/4-20 HEX |
| 13 | 601 40 00 85 | NUT, 5/16-18 HEX CONTROL LOCK |
| 15 | 601 50 51 36 | CRADLE, WELDMENT |
| 16 | 601 00 00 73 | BOLT, 5/16-18 X 0.75 |
| 17 | 601 50 51 37 | BOLT, HEX .31-18 X 1.62 |
| 18 | 601 50 51 38 | HOSE, FUEL |
| 19 | 601 00 17 79 | CLAMP, HOSE |
| 20 | 601 50 51 39 | FILTER- FUEL |
| 21 | 601 50 51 38 | HOSE, FUEL |
| 22 | 601 40 00 65 | CLAMP, SCREW TYPE |
| 23 | 601 50 51 41 | PLATE, SUPPORT |
| 24 | 601 50 51 42 | FRAME, RIGHT HAND |
| 25 | 601 50 51 43 | CHANNEL, FRAME SUPPORT |
| 26 | 601 50 51 44 | FRAME, LEFT HAND |
| 27 | 601 00 13 31 | ARM, IDLER BLACK |
| 28 | 601 00 16 94 | BRAKE PAD |
| 29 | 601 00 13 37 | ROD, CLUTCH LINKAGE |
| 30 | 601 40 00 75 | NUT, 3/8-16 JAM CONTROL LOCK |
| 31 | 601 50 51 45 | WIRE, BRAKE |
| 32 | 601 00 13 33 | PULLEY, IDLER |
| 33 | 601 50 51 46 | PINCH ROLLER |
| 34 | 601 00 13 34 | SCREW, 3/8-16 X 1.50 |
| 35 | 601 00 13 30 | SPRING, EXTENSION .38 O.D. X .039 X 2.50 |
| 36 | 601 00 13 96 | SPRING, EXTENSION .75 O.D. X .069 X 2.00 |
| 37 | 601 00 20 81 | BELT |
| 38 | 601 00 13 28 | ARM, IDLER PIVOT |
| 39 | 601 00 13 29 | BOLT, SHOULDER .500 X .177 |
| 40 | 601 50 51 50 | WASHER, FLAT .378 X .75 X .080 |
| 41 | 601 50 51 51 | PULLEY, ENGINE |
| 42 | 601 00 00 26 | PIN, COTTER |
| 43 | 601 00 05 33 | WASHER, FLAT |
| 44 | 601 50 51 64 | GUIDE, BELT |
| 45 | 601 40 00 86 | NUT, 1/4-20 HEX CONTROL LOCK |

Footnotes

The above parts group applies to the following Mfg. Nos.:

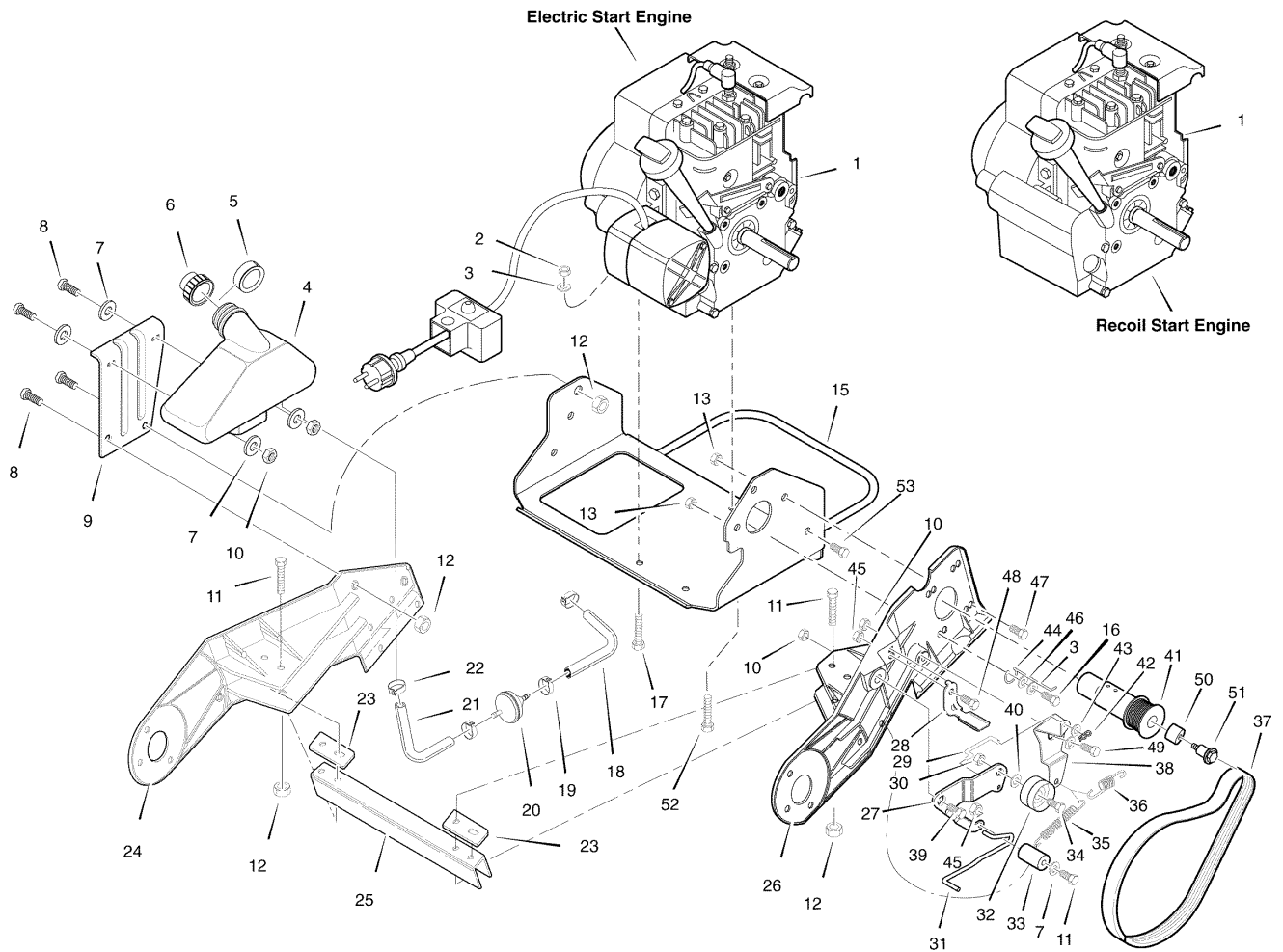
6210530x37NA 5021R

6210540x37NA 5021E

Engine And Frame Assembly

NOTE: Unless noted otherwise,
use the standard hardware torque
specification chart.

0003



The above parts group applies to the following Mfg. Nos.:

6210530x37NA 5021R

6210540x37NA 5021E

Engine And Frame Assembly

| REF NO | PART NO. | DESCRIPTION |
|---------------|-----------------|--|
| 46 | 601 40 00 81 | WASHER, FLAT .349 X .69 X .066 |
| 47 | 601 00 10 06 | SCREW 5/16-18 X 0.63 WAHHC |
| 48 | 601 40 00 73 | SCREW, 1/4-20 X 0.63 |
| 49 | 601 00 14 18 | SCREW, 8-32 X 3.00 |
| 50 | 601 50 51 61 | SPACER, DRIVE PULLEY |
| 51 | 601 50 51 62 | BOLT, ENGINE PULLEY, 1/4-28 X 1.28 |
| 52 | 601 50 51 63 | BOLT, 5/16-18 X 0.865 |
| 53 | 601 00 14 45 | SCREW, .25-20 X .062 WASHER HEX HEAD TAPTITE |

Footnotes

The above parts group applies to the following Mfg. Nos.:

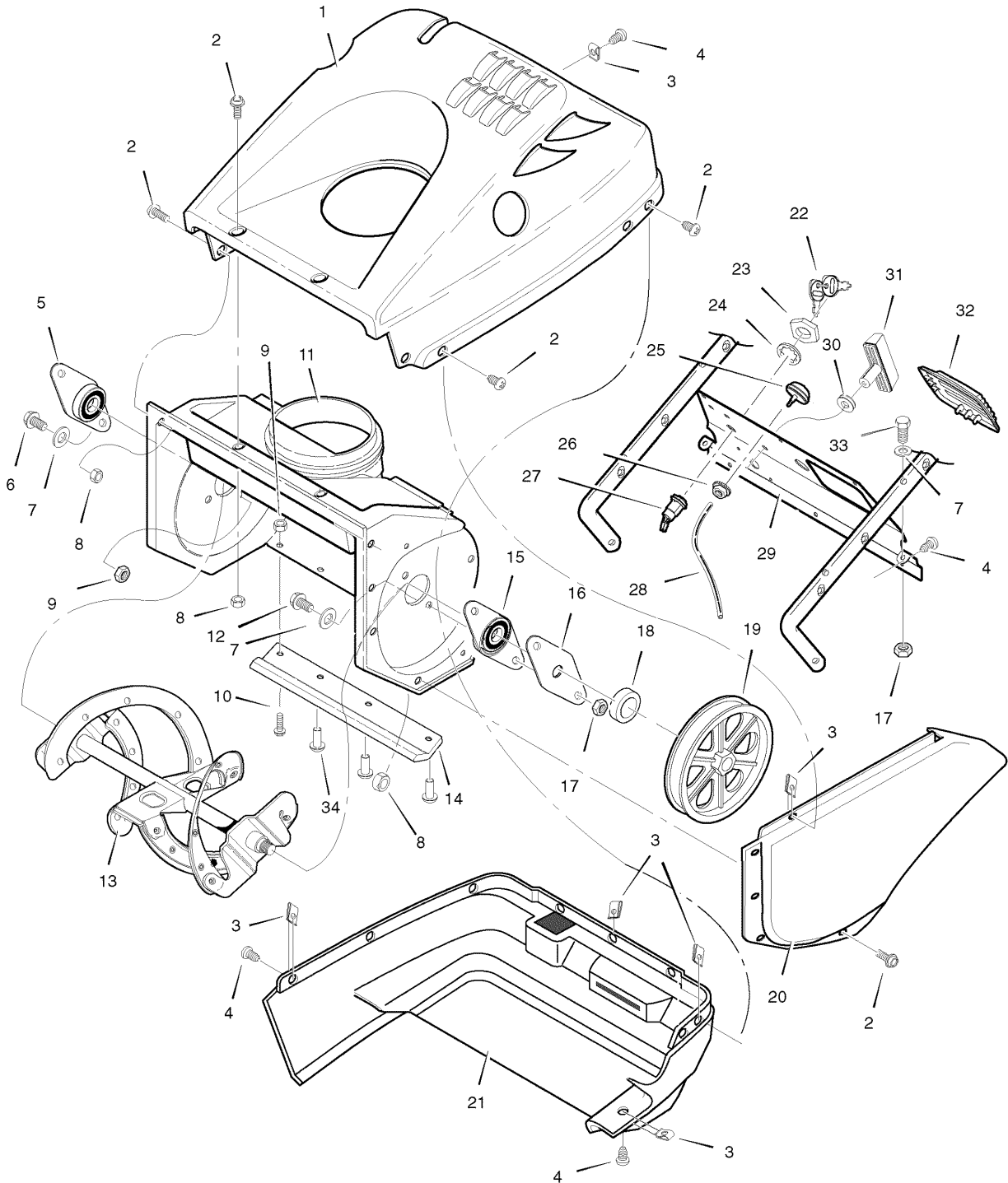
6210530x37NA 5021R

6210540x37NA 5021E

Auger And Control Assembly

0005

NOTE: Unless noted otherwise,
use the standard hardware torque
specification chart.



The above parts group applies to the following Mfg. Nos.:

6210530x37NA 5021R

6210540x37NA 5021E

Auger And Control Assembly

| REF NO | PART NO. | DESCRIPTION |
|--------|--------------|---------------------------------|
| 1 | 601 50 51 47 | COVER, TOP |
| 2 | 601 40 00 02 | SCREW, #10-24 X 0.50 |
| 3 | 601 50 51 48 | NUT, 1/4-10 SPEED J-TYPE |
| 4 | 601 50 51 49 | SCREW, 1/4-14 X 0.75 |
| 5 | 601 00 21 53 | BEARING, FLANGE |
| 6 | 601 50 51 52 | SCREW, 1/4-20 X 1.00 |
| 7 | 601 40 00 80 | WASHER, FLAT, .281 X .63 X .065 |
| 8 | 601 50 51 53 | NUT, #10-24 HEX CONTROL LOCK |
| 9 | 601 50 51 54 | NUT, 1/4-20 HEX CONTROL LOCK |
| 10 | 601 50 51 33 | SCREW, 1/4-20 X 0.75 |
| 11 | 601 50 51 56 | AUGER HOUSING ASSEMBLY |
| 12 | 601 40 00 73 | SCREW, 1/4-20 X 0.63 |
| 13 | 601 50 51 57 | AUGER ASSEMBLY, COMPLETE |
| 14 | 601 50 51 58 | BLADE, SCRAPER |
| 15 | 601 40 00 74 | PLATE & BEARING ASSY |
| 16 | 601 00 13 81 | PLATE, RETAINER BEARING |
| 17 | 601 40 00 86 | NUT, 1/4-20 HEX CONTROL LOCK |
| 18 | 601 00 20 87 | SPACER, SLEEVE |
| 19 | 601 00 20 95 | PULLEY |
| 20 | 601 50 51 59 | COVER, BELT |
| 21 | 601 50 51 60 | COVER, BOTTOM |
| 22 | 601 40 00 76 | KEY SET |
| 23 | 601 00 01 11 | NUT, 5/8-32 |
| 24 | 601 40 00 44 | WASHER, .640 X 1.1 X .05 |
| 25 | 601 50 51 89 | PRIMER, CARBURETOR |
| 26 | 601 00 01 02 | NUT, 1/-20 HEX KEPS |
| 27 | 601 00 13 58 | SWITCH, IGNITION 45 DEGREE |
| 28 | 601 50 51 65 | HOSE, PRIMER 9.5" |
| 29 | 601 50 51 66 | PANEL, CONTROL |
| 30 | 601 40 00 70 | GROMMET & WASHER, ROPE |
| 31 | 601 50 51 40 | GRIP, STARTER ROPE |
| 32 | 601 50 51 68 | PANEL, ACCESS |
| 33 | 601 50 51 69 | SCREW, 1/4-20 X 1.25 |
| 34 | 601 00 13 78 | RIVET, OFFSET, .25 X .61 |

Footnotes

The above parts group applies to the following Mfg. Nos.:

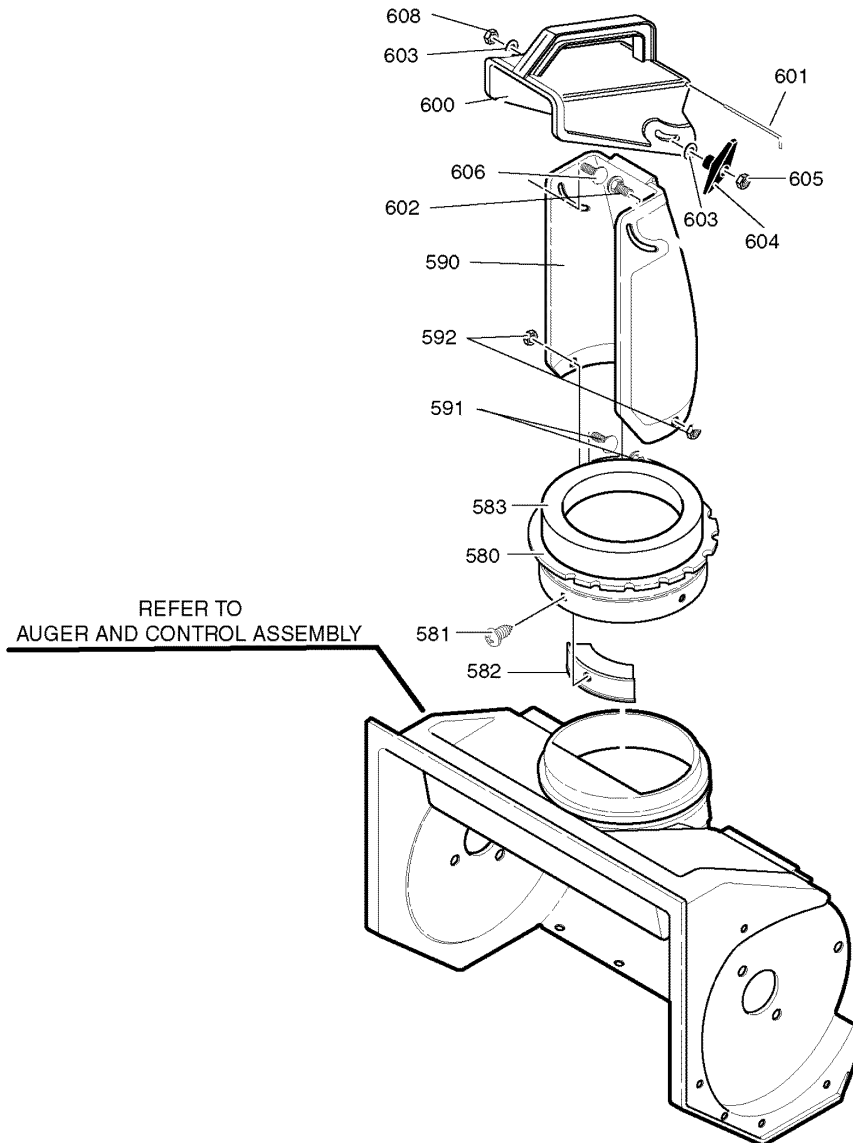
6210530x37NA 5021R

6210540x37NA 5021E

Discharge Chute

0007

NOTE: Unless noted otherwise,
use the standard hardware torque
specification chart.



The above parts group applies to the following Mfg. Nos.:

6210530x37NA 5021R

6210540x37NA 5021E

Discharge Chute

| REF NO | PART NO. | DESCRIPTION |
|---------------|-----------------|--------------------------------|
| 580 | 601 50 51 87 | CHUTE RING |
| 581 | 601 50 51 88 | SCREW, #10 X .50 |
| 582 | 601 00 13 86 | GUIDE, CHUTE |
| 583 | 601 50 51 90 | DONUT, FOAM 21 PLAST A |
| 590 | 601 50 51 91 | CHUTE, DEFLECTOR LOWER |
| 591 | 601 50 51 33 | SCREW 1/4-20 X .75 |
| 592 | 601 50 51 54 | NUT, 1/4-20, HEX CONTROL LOCK |
| 600 | 601 50 51 94 | CHUTE DELFECTOR, UPPER |
| 601 | 601 00 13 89 | WIRE FORM, HINGE 5.75 |
| 602 | 601 00 13 90 | BOLT, 5/16-18 X 1.25 CARRIAGE |
| 603 | 601 40 00 81 | WASHER, FLAT .349 X .69 X .066 |
| 604 | 601 40 00 69 | KNOB, WING |
| 605 | 601 50 51 29 | NUT, 5/16-18 |
| 606 | 601 00 20 38 | SCREW, 5/16-18 X .75 |
| 608 | 601 40 00 85 | NUT, 5/16-18, HEX CONTROL LOCK |

Footnotes

The above parts group applies to the following Mfg. Nos.:

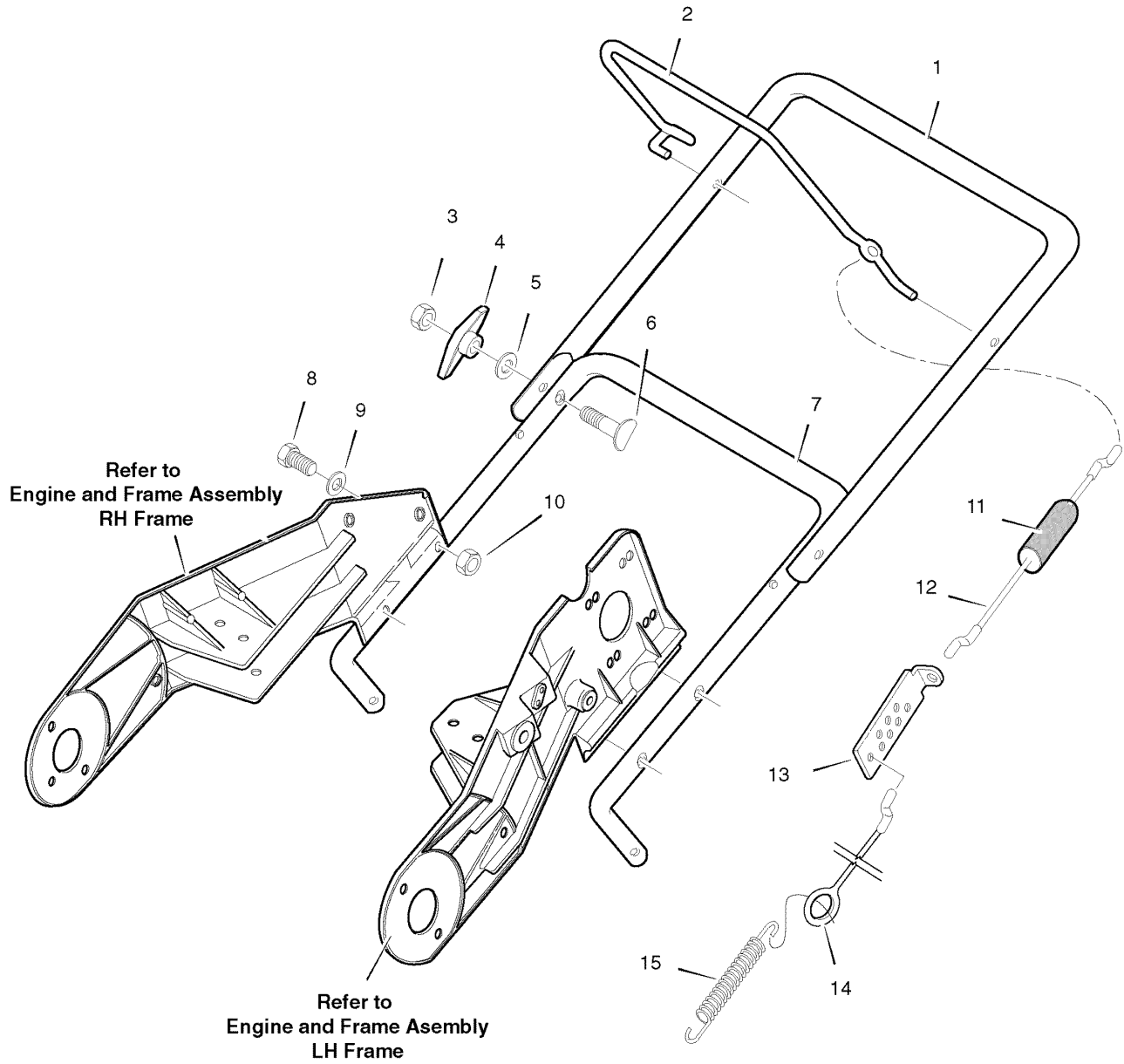
6210530x37NA 5021R

6210540x37NA 5021E

Handle Assembly

0011

NOTE: Unless noted otherwise,
use the standard hardware torque
specification chart.



The above parts group applies to the following Mfg. Nos.:

6210530x37NA 5021R

6210540x37NA 5021E

Handle Assembly

| REF NO | PART NO. | DESCRIPTION |
|--------|--------------|--|
| 1 | 601 50 51 96 | HANDLE, UPPER |
| 2 | 601 50 51 97 | BAIL, CONTROL |
| 3 | 601 50 51 29 | NUT, 5/16-18 HEX |
| 4 | 601 40 00 69 | KNOB, WING |
| 5 | 601 00 24 13 | WASHER, FORM .344 I.D. |
| 6 | 601 00 21 50 | BOLT, 5/16-18 X 2.00 |
| 7 | 601 50 51 99 | HANDLE, LOWER |
| 8 | 601 50 51 69 | SCREW, 1/4-20 X 1.25 |
| 9 | 601 40 00 80 | WASHER, FLAT .281 X .63 X .065 |
| 10 | 601 40 00 86 | NUT, .25-20 HEX CONTROL LOCK |
| 11 | 601 00 13 95 | BOOT, CLUTCH SPRING |
| 12 | 601 00 13 92 | CABLE, UPPER CONTROL |
| 13 | 601 00 13 93 | BRACKET, CABLE ADJUST |
| 14 | 601 00 13 94 | CABLE, LOWER CONTROL |
| 15 | 601 00 13 96 | SPRING, EXTENSION .75 O.D. X .069 X 2.00 |

Footnotes

The above parts group applies to the following Mfg. Nos.:

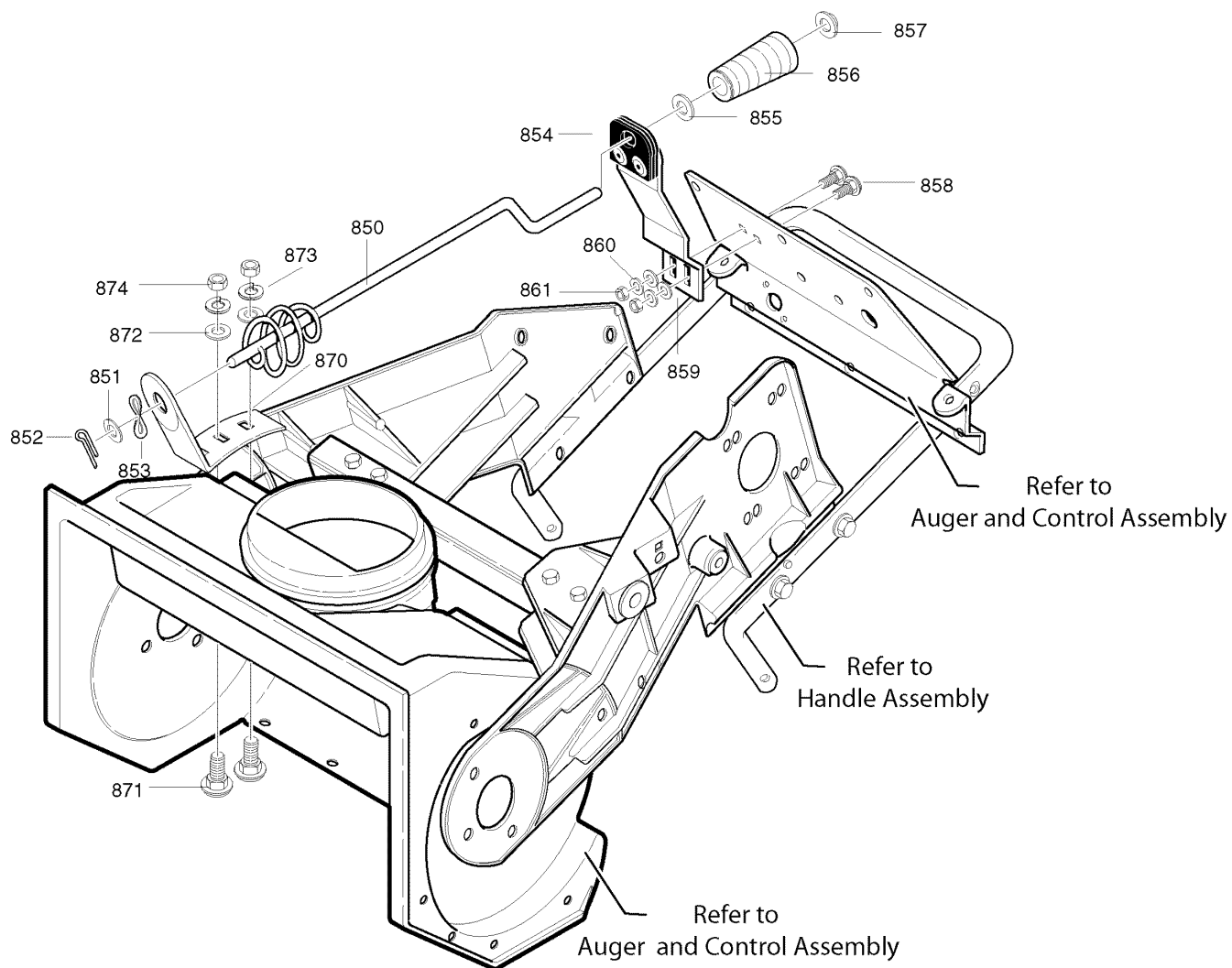
6210530x37NA 5021R

6210540x37NA 5021E

Chute Rod Assembly

0009

NOTE: Unless noted otherwise,
use the standard hardware torque
specification chart.



The above parts group applies to the following Mfg. Nos.:

6210530x37NA 5021R

6210540x37NA 5021E

Chute Rod Assembly

| REF NO | PART NO. | DESCRIPTION |
|--------|--------------|------------------------------------|
| 850 | 601 50 51 80 | ROD, CHUTE |
| 851 | 601 40 00 82 | WASHER, FLAT .406 X .81 X .066 |
| 852 | 601 50 51 81 | PIN, COTTER |
| 853 | 601 00 14 04 | WASHER, CURVED SPRING |
| 854 | 601 50 51 82 | ASSY, CHUTE CRANK BRACKET |
| 855 | 601 40 00 82 | WASHER, FLAT .406 X.81 X .066 |
| 856 | 601 00 14 05 | KNOB, SLEEVE |
| 857 | 601 00 18 17 | NUT, PUSH |
| 858 | 601 50 51 83 | BOLT, 1/4-20 X .63 CARRIAGE |
| 859 | 601 40 00 81 | WASHER, FLAT .349 X .69 X .065 |
| 860 | 601 40 00 79 | WASHER, SPLIT LOCK .31 X .58 X .08 |
| 861 | 601 50 51 35 | NUT, 1/4-20 HEX |
| 870 | 601 50 51 85 | BRKT, CHUTE ROTATE |
| 871 | 601 00 14 11 | BOLT, 5/16-18 X .75 CARRIAGE |
| 872 | 601 40 00 81 | WASHER, FLAT .349 X .69 X .065 |
| 873 | 601 40 00 79 | WASHER, SPLIT LOCK .31 X .58 X .08 |
| 874 | 601 50 51 29 | NUT, 5/16-18 HEX |

Footnotes

The above parts group applies to the following Mfg. Nos.:

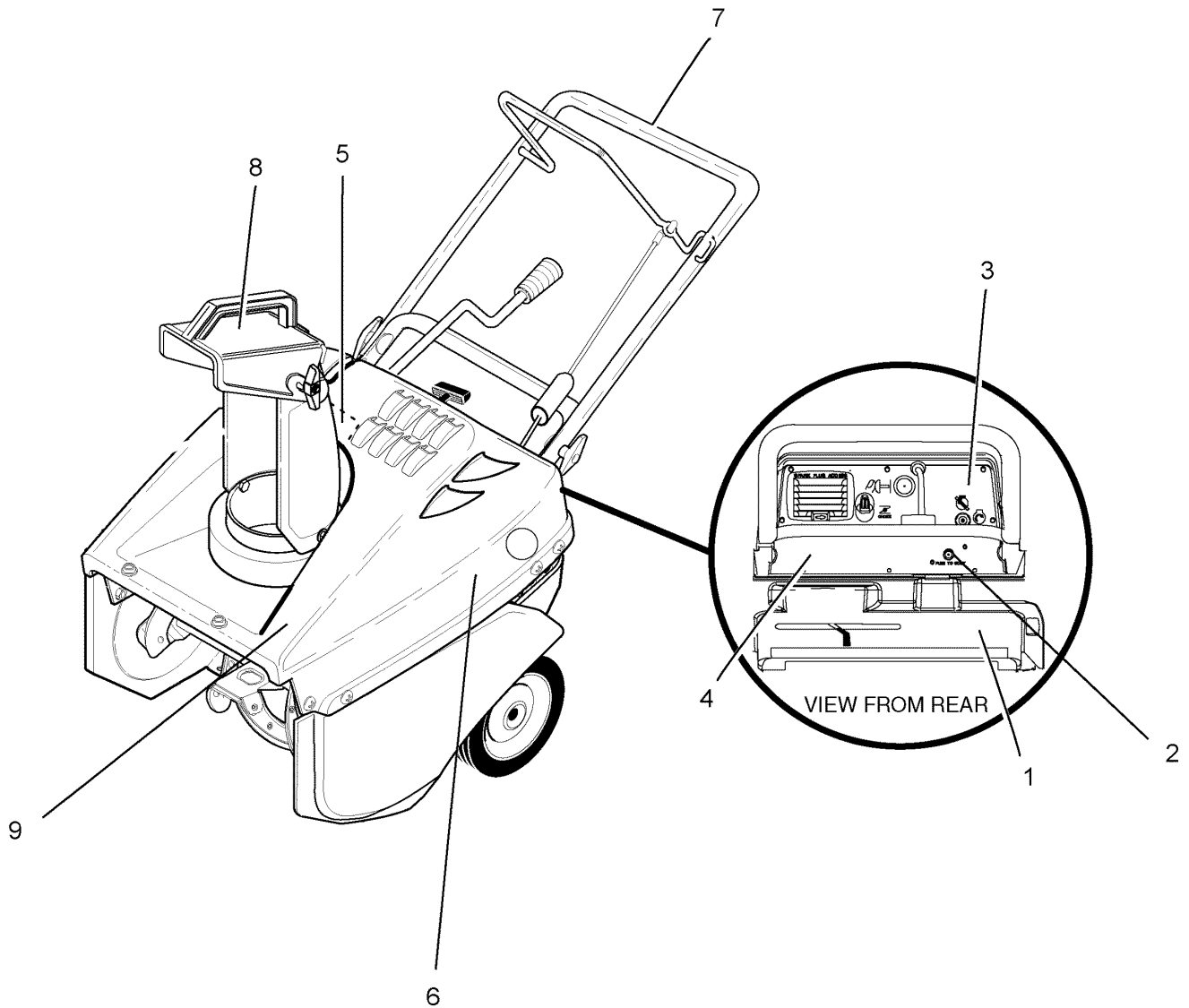
6210530x37NA 5021R

6210540x37NA 5021E

Decals

NOTE: Unless noted otherwise,
use the standard hardware torque
specification chart.

0015



The above parts group applies to the following Mfg. Nos.:

6210530x37NA 5021R

6210540x37NA 5021E

Decals

| REF NO | PART NO. | DESCRIPTION |
|--------|--------------|---|
| 1 | ---- | * DECAL, EPA, MASS |
| 2 | 601 50 51 75 | DECAL, ELECTRIC START, COVER UP (Used on Model 6210530x37NA 5021R Only) |
| 2 | 601 50 52 01 | DECAL, ELECTRIC START (Used on Model 6210540x37NA 5021E Only) |
| 3 | 601 50 51 55 | DECAL, DASH PANEL (Used on Model 6210530x37NA 5021R Only) |
| 3 | 601 50 52 03 | DECAL, DASH PANEL (Used on Model 6210540x37NA 5021E Only) |
| 4 | 601 40 00 11 | DECAL, HUSQVARNA |
| 5 | 601 40 00 16 | DECAL, HUSQVARNA 5021R (Used on Model 6210530x37NA 5021R Only) |
| 5 | 601 40 00 15 | DECAL, HUSQVARNA 5021E (Used on Model 6210540x37NA 5021E Only) |
| 6 | 601 40 00 77 | DECAL, WARNING HOT MUFFLER |
| 7 | 601 50 51 79 | DECAL, AUGER CONTROL |
| 8 | 601 40 00 67 | DECAL, DANGER CHUTE |
| 9 | 601 00 23 29 | DECAL, DANGER AUGER, FOOT |

Footnotes

Note * Not a serviceable part.

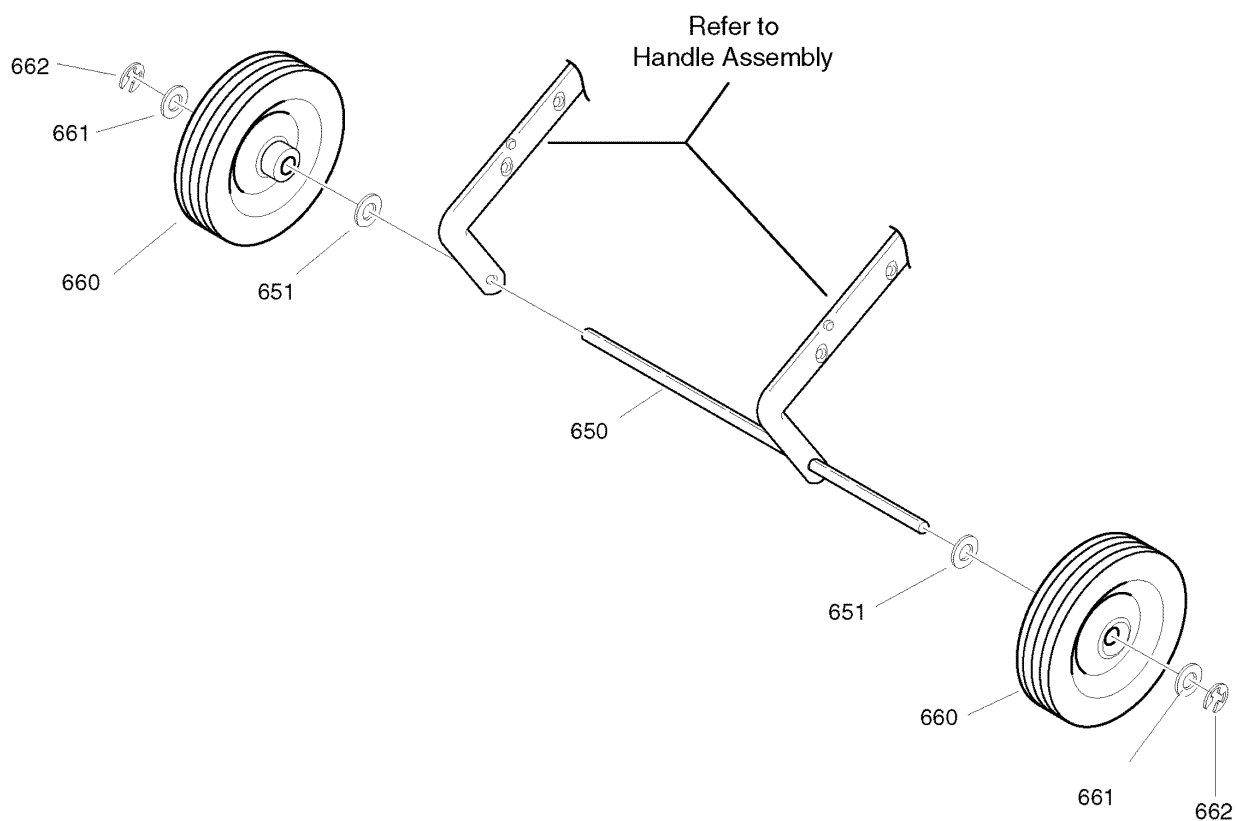
The above parts group applies to the following Mfg. Nos.:

6210530x37NA 5021R
6210540x37NA 5021E

Wheels

0013

**NOTE: Unless noted otherwise,
use the standard hardware torque
specification chart.**



The above parts group applies to the following Mfg. Nos.:

6210530x37NA 5021R

6210540x37NA 5021E

Wheels

| REF NO | PART NO. | DESCRIPTION |
|---------------|-----------------|---------------------------------|
| 650 | 601 50 51 70 | AXLE, 20.53 WHEEL 20/21 |
| 651 | 601 50 51 71 | WASHER, FLAT .391 X 1.00 X .125 |
| 660 | 601 50 51 72 | TIRE & RIM 7 X 1.50 |
| 661 | 601 50 51 71 | WASHER, FLAT .391 X 1.00 X .125 |
| 662 | 601 40 00 72 | RING, RETAINER E |

Footnotes

The above parts group applies to the following Mfg. Nos.:

6210530x37NA 5021R

6210540x37NA 5021E